



**Model: 67388/67322**

Basic size of  
mm

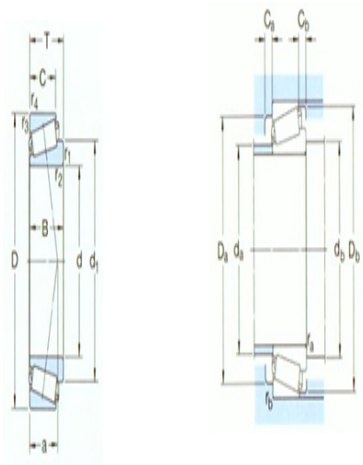
d:	127
D:	196.85
T:	46.038

The basic rated load is  
kN

trends C:	319
static state Co:	585
Fatigue load limit Pu:	60

Rated rotation speed is  
r/min

Refer to the speed:	2200
limit speed:	3400
quality:	5.2
model:	67388/67322
	2
series:	67300



Dimensions are  
mm

d:	127
d <sub>1</sub> ~ :	164
B:	46.038
C:	38.1
r <sub>1,2</sub> the min:	3.5
r <sub>3,4</sub> the min:	3.3
a:	39

Shoulder gear and chamfer size  
mm

d <sub>a</sub> the max:	146
d <sub>b</sub> the min:	140
Da the min:	177
Da the max:	185
Db the min:	189
Ca the min:	7
Cb the min:	7.5

$r_a$ the max:	3
$r_b$ the max:	3

Calculation coefficient

e:	0.35
Y:	1.7
Yo:	0.9