



## Model: L327249/210

Basic size of  
mm

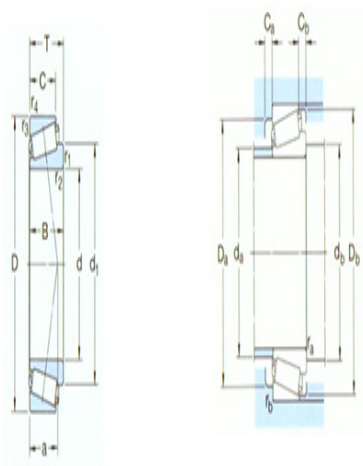
d:	133.35
D:	177.008
T:	25.4

The basic rated load is  
kN

trends C:	134
static state Co:	280
Fatigue load limit Pu:	28

Rated rotation speed is  
r/min

Refer to the speed:	2400
limit speed:	3600
quality:	1.8
model:	L327249/210
	0
series:	L327200



Dimensions are  
mm

d:	133.35
d <sub>1</sub> ~ :	155
B:	26.195
C:	20.638
r <sub>1,2</sub> the min:	1.5
r <sub>3,4</sub> the min:	1.5
a:	29

Shoulder gear and chamfer size  
mm

d <sub>a</sub> the max:	145
d <sub>b</sub> the min:	141
Da the min:	165
Da the max:	188
Db the min:	170
Ca the min:	5
Cb the min:	4.5

$r_a$ the max:	1.5
$r_b$ the max:	1.5

Calculation coefficient

e:	0.33
Y:	1.8
Yo:	1