



Model: 67391/67322

Basic size of
mm

d:	133.35
D:	196.85
T:	46.038

The basic rated load is
kN

trends C:	319
static state Co:	585
Fatigue load limit Pu:	60

Rated rotation speed is
r/min

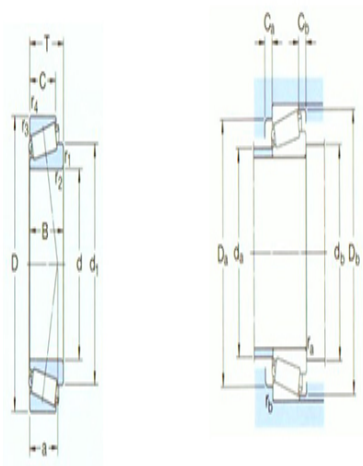
Refer to the speed:	2200
limit speed:	3400
quality:	4.8
model:	67391/67322
	2
series:	67300

Dimensions are
mm

d:	133.35
d ₁ ~ :	164
B:	46.038
C:	38.1
r _{1,2} the min:	8
r _{3,4} the min:	3.3
a:	39

Shoulder gear and chamfer size
mm

d _a the max:	146
d _b the min:	161
Da the min:	177
Da the max:	185
Db the min:	189
Ca the min:	7
Cb the min:	7.5



r_a the max:	7
r_b the max:	3

Calculation coefficient

e:	0.35
Y:	1.7
Yo:	0.9