



Model: 24026CCK30/W33

Basic size of
mm

d ₁ :	125
D:	200
B:	69

The basic rated load is
kN

trends C:	540
static state Co:	815
Fatigue load limit	81.5
Pu:	

Rated rotation speed is
r/min

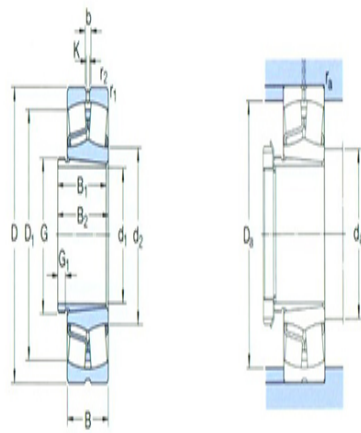
Refer to the speed:	2000
limit speed:	3000
Mass bearing + return sleeve:	8.65

model

bearing:	*24026CCK30/W3 3
withdrawal sleeve:	AH24026

Dimensions are
mm

d ₁ :	125
d ₂ ~ :	145
D1 ~ :	175
B ₁ :	83
B ₂ ¹⁾ :	93
G:	M135×2
G ₁ :	14
b:	5.5
k:	3
r _{1,2} the min:	2



Shoulder gear and chamfer size

mm

d_a the max: 139

D_a the max: 191

r_a the max: 2

Calculation coefficient

e: 0.31

Y1: 2.2

Y2: 3.3

Yo: 2.2