



**Model: 24038CCK30/W33**

Basic size of  
mm

d <sub>1</sub> :	180
D:	290
B:	100

The basic rated load is  
kN

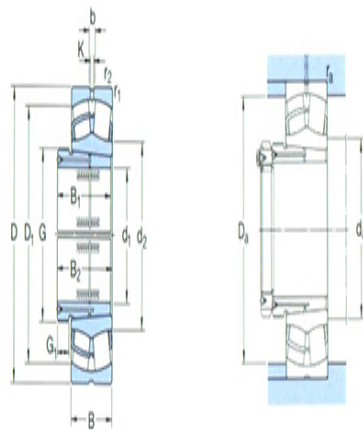
trends C:	1120
static state Co:	1800
Fatigue load limit	163
Pu:	

Rated rotation speed is  
r/min

Refer to the speed:	1400
limit speed:	2000
Mass bearing + return sleeve:	27.5

model

bearing:	*24038CCK30/W33
	3
withdrawal sleeve:	AH24038



Dimensions are  
mm

d <sub>1</sub> :	180
d <sub>2</sub> ~ :	210
D1 ~ :	253
B <sub>1</sub> :	118
B <sub>2</sub> <sup>1)</sup> :	131
G:	M200×3
G <sub>1</sub> :	18
b:	8.3
k:	4.5
r <sub>1,2</sub> the min:	2.1

Shoulder gear and chamfer size

mm

$d_a$  the max: 201

$D_a$  the max: 279

$r_a$  the max: 2

Calculation coefficient

e: 0.31

Y1: 2.2

Y2: 3.3

Yo: 2.2