



Model: 24138CCK30/W33

Basic size of
mm

d ₁ :	180
D:	320
B:	128

The basic rated load is
kN

trends C:	1600
static state Co:	2500

Fatigue load

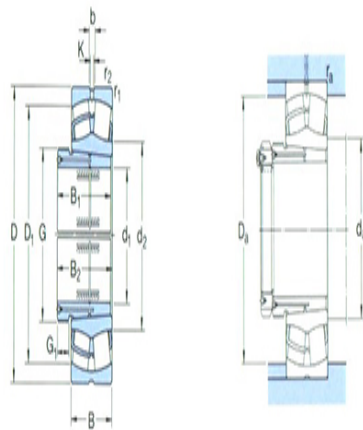
limit	212
Pu:	

Rated rotation speed is
r/min

Refer to the speed:	1200
limit speed:	1600
Mass bearing + return sleeve:	46.5

model

bearing:	*24138CCK30/W33
	3
withdrawal sleeve:	AH24138



Dimensions are
mm

d ₁ :	180
d ₂ ~ :	215
D1 ~ :	268
B ₁ :	146
B ₂ ¹⁾ :	159
G:	M200×3
G ₁ :	18
b:	11.1
k:	6
r _{1,2} the min:	3

Shoulder gear and chamfer size

mm

d_a the max: 204

D_a the max: 306

r_a the max: 2.5

Calculation coefficient

e: 0.4

Y1: 1.7

Y2: 2.5

Yo: 1.6