



**Model: 24044CCK30/W33**

Basic size of  
mm

d <sub>1</sub> :	200
D:	340
B:	118

The basic rated load is  
kN

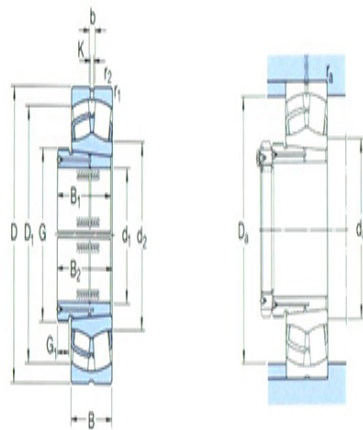
trends C:	1560
static state Co:	2600
Fatigue load limit	212
Pu:	

Rated rotation speed is  
r/min

Refer to the speed:	1200
limit speed:	1700
Mass bearing + return sleeve:	47.5

model

bearing:	*24044CCK30/W33
	3
withdrawal sleeve:	AOH24044



Dimensions are  
mm

d <sub>1</sub> :	200
d <sub>2</sub> ~ :	244
D1 ~ :	295
B <sub>1</sub> :	138
B <sub>2</sub> <sup>1)</sup> :	152
G:	Tr230×4
G <sub>1</sub> :	20
b:	11.1
k:	6
r <sub>1,2</sub> the min:	3

Shoulder gear and chamfer size

mm

$d_a$  the max: 233

$D_a$  the max: 327

$r_a$  the max: 2.5

Calculation coefficient

e: 0.33

Y1: 2

Y2: 3

Yo: 2