



**Model: 24148CCK30/W33**

Basic size of  
mm

d <sub>1</sub> :	220
D:	400
B:	160

The basic rated load is  
kN

trends C:	2400
static state Co:	3900
Fatigue load limit	320
Pu:	

Rated rotation speed is  
r/min

Refer to the speed:	900
limit speed:	1300
Mass bearing + return sleeve:	91.5

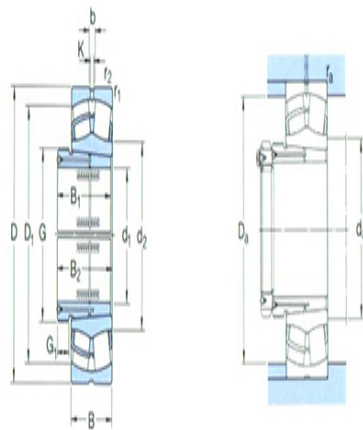
model

bearing:	*24148CCK30/W3 3
withdrawal sleeve:	AOH24148

Dimensions are  
mm

d <sub>1</sub> :	220
d <sub>2</sub> ~ :	271
D1 ~ :	336
B <sub>1</sub> :	180
B <sub>2</sub> <sup>1)</sup> :	195
G:	Tr260×4
G <sub>1</sub> :	20
b:	11.1
k:	6
r <sub>1,2</sub> the min:	4

Shoulder gear and chamfer size



mm

$d_a$  the max: 257

$D_a$  the max: 383

$r_a$  the max: 3

Calculation coefficient

e: 0.4

Y1: 1.7

Y2: 2.5

Yo: 1.6