



Model: 24056CCK30/W33

Basic size of
mm

d ₁ :	260
D:	420
B:	140

The basic rated load is
kN

trends C:	2160
static state Co:	3800

Fatigue load

limit	285
Pu:	

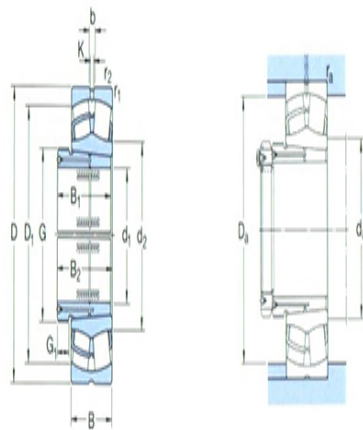
Rated rotation speed is
r/min

Refer to the speed:	950
limit speed:	1400

Mass bearing + return sleeve:	79
-------------------------------	----

model

bearing:	*24056CCK30/W33
	3
withdrawal sleeve:	AOH24056G



Dimensions are
mm

d ₁ :	260
d ₂ ~ :	309
D1 ~ :	368
B ₁ :	162
B ₂ ¹⁾ :	179
G:	Tr300×4
G ₁ :	22
b:	11.1
k:	6
r _{1,2} the min:	4

Shoulder gear and chamfer size

mm

d_a the max: 295

D_a the max: 405

r_a the max: 3

Calculation coefficient

e: 0.31

Y1: 2.2

Y2: 3.3

Yo: 2.2