



Model: 22256CCK/W33

Basic size of
 mm

d ₁ :	260
D:	500
B:	130

The basic rated load is
 kN

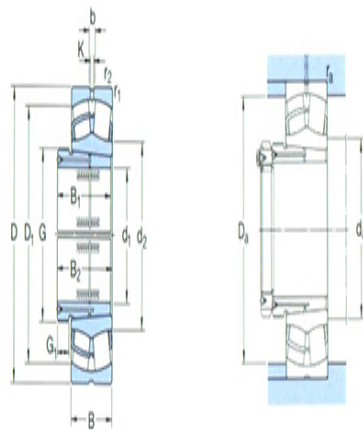
trends C:	2700
static state Co:	3750
Fatigue load limit Pu:	300

Rated rotation speed is
 r/min

Refer to the speed:	1100
limit speed:	1500
Mass bearing + return sleeve:	125

model

bearing:	*22256CCK/W33
withdrawal sleeve:	AOH2256G



Dimensions are
 mm

d ₁ :	260
d ₂ ~ :	333
D1 ~ :	441
B ₁ :	155
B ₂ ¹⁾ :	163
G:	Tr300×4
G ₁ :	24
b:	22.3
k:	12
r _{1,2} the min:	5

Shoulder gear and chamfer size
 mm

d_a the max: 300

D_a the max: 480

r_a the max: 4

Calculation coefficient

e: 0.26

Y1: 2.6

Y2: 3.9

Yo: 2.5