



Model: C4912V1

Basic size of
mm

d:	60
D:	85
B:	25

The basic rated load is
kN

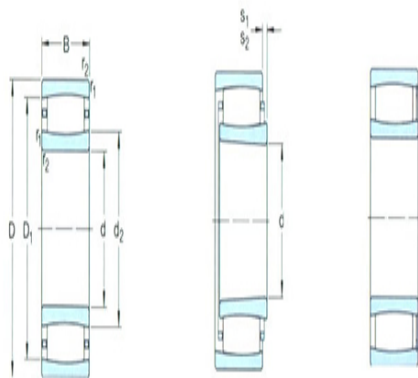
trends C:	112
static state Co:	170
Fatigue load limit Pu:	19.6

Rated rotation speed is
r/min

Refer to the speed:	-
limit speed:	3000
quality:	0.46

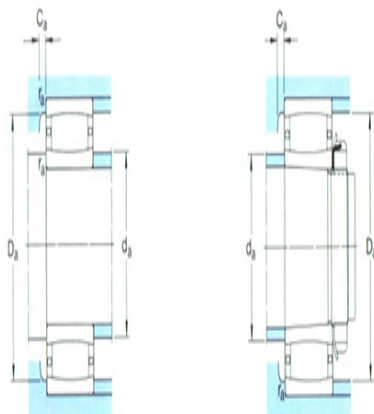
model

Bearing cylindrical hole:	*C4912V1)
conical bore:	*C4912K30V1)



Dimensions are
mm

d:	60
d ₂ ~ :	68
D1 ~ :	78.2
r _{1,2} the min:	1
s ₁ ¹⁾ ~ :	5.5
s ₂ ¹⁾ ~ :	2.3



Shoulder gear and chamfer size
mm

d _a the min:	64.6
d _a the max:	68
Da the min:	-
Da the max:	80.4
Ca ²⁾ the max:	-

r_a the max:	1
----------------	---

Calculation coefficient

k_1 :	0.107
---------	-------

k_2 :	0.108
---------	-------