



Model: C5912V1

Basic size of
 mm

d:	60
D:	85
B:	34

The basic rated load is
 kN

trends C:	150
static state Co:	240
Fatigue load limit Pu:	26.5

Rated rotation speed is
 r/min

Refer to the speed:	-
limit speed:	2400
quality:	0.64

model

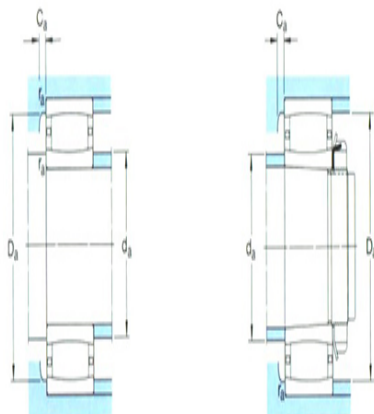
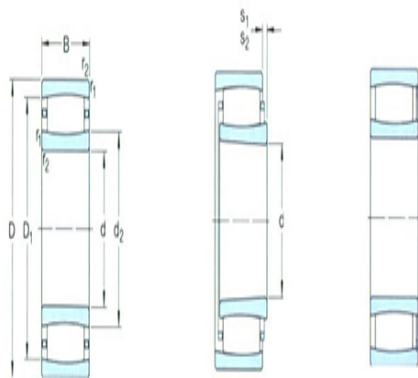
Bearing cylindrical hole:	*C5912V1)
conical bore:	-

Dimensions are
 mm

d:	60
d ₂ ~ :	66.8
D1 ~ :	76.5
r _{1,2} the min:	1
s ₁ ¹⁾ ~ :	6
s ₂ ¹⁾ ~ :	2.8

Shoulder gear and chamfer size
 mm

d _a the min:	64.6
d _a the max:	66
Da the min:	-
Da the max:	80.4
Ca ²⁾ the max:	-
r _a the max:	1



Calculation coefficient

k_1 : 0.097

k_2 : 0.11