



### Model: C6912V

Basic size of  
 mm

d:	60
D:	85
B:	45

The basic rated load is  
 kN

trends C:	190
static state Co:	335
Fatigue load limit Pu:	36

Rated rotation speed is  
 r/min

Refer to the speed:	-
limit speed:	1900
quality:	0.84

model

Bearing cylindrical hole:	*C6912V
conical bore:	-

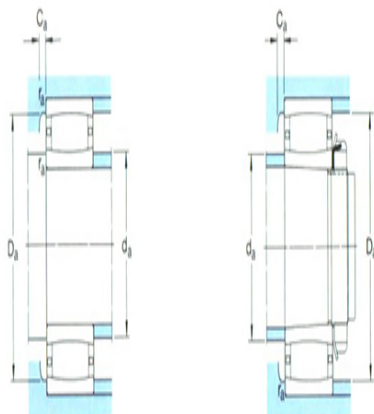
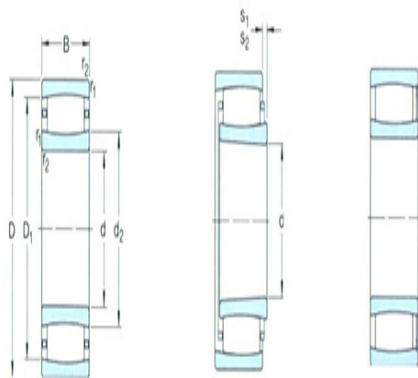
Dimensions are  
 mm

d:	60
d <sub>2</sub> ~ :	68.7
D1 ~ :	77.5
r <sub>1,2</sub> the min:	1
s <sub>1</sub> <sup>1)</sup> ~ :	7.9
s <sub>2</sub> <sup>1)</sup> ~ :	4.7

Shoulder gear and chamfer size  
 mm

d <sub>a</sub> the min:	64.6
d <sub>a</sub> the max:	72
Da the min:	-
Da the max:	80.4
Ca <sup>2)</sup> the max:	-
r <sub>a</sub> the max:	1

Calculation coefficient



$k_1:$  0.108

$k_2:$  0.096