



## Model: C2212TN9

Basic size of  
mm

d:	60
D:	110
B:	28

The basic rated load is  
kN

trends C:	143
static state Co:	156
Fatigue load limit Pu:	18.3

Rated rotation speed is  
r/min

Refer to the speed:	5600
limit speed:	7500
quality:	1.1

model

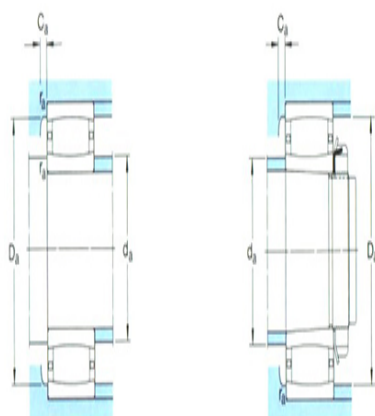
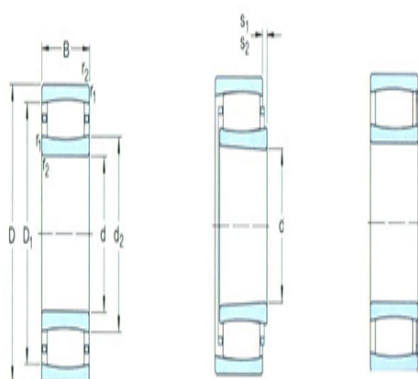
Bearing cylindrical hole:	*C2212TN9
conical bore:	*C2212KTN9

Dimensions are  
mm

d:	60
d <sub>2</sub> ~ :	77.1
D1 ~ :	97.9
r <sub>1,2</sub> the min:	1.5
s <sub>1</sub> <sup>1)</sup> ~ :	8.5
s <sub>2</sub> <sup>1)</sup> ~ :	-

Shoulder gear and chamfer size  
mm

d <sub>a</sub> the min:	69
d <sub>a</sub> the max:	77
Da the min:	95
Da the max:	101
Ca <sup>2)</sup> the max:	0.3



$r_a$ the max:	1.5
----------------	-----

Calculation coefficient

$k_1$ :	0.1
---------	-----

$k_2$ :	0.123
---------	-------