



Model: C5913V1

Basic size of
 mm

d:	65
D:	90
B:	34

The basic rated load is
 kN

trends C:	156
static state Co:	260
Fatigue load limit Pu:	30

Rated rotation speed is
 r/min

Refer to the speed:	-
limit speed:	2200
quality:	0.7

model

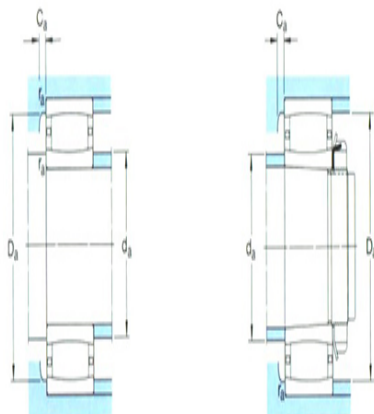
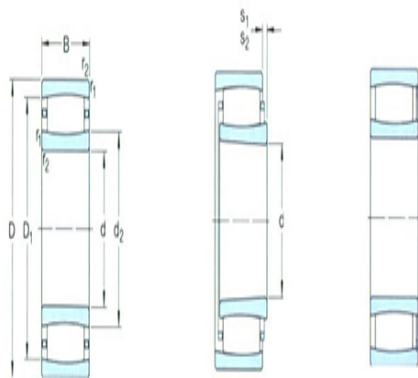
Bearing cylindrical hole:	*C5913V1)
conical bore:	-

Dimensions are
 mm

d:	65
$d_2 \sim$:	72.9
$D_1 \sim$:	82.6
$r_{1,2}$ the min:	1
$s_1^{1)} \sim$:	6
$s_2^{1)} \sim$:	2.8

Shoulder gear and chamfer size
 mm

d_a the min:	69.6
d_a the max:	72
D_a the min:	-
D_a the max:	85.4
$Ca^{2)}$ the max:	-
r_a the max:	1



Calculation coefficient

k_1 : 0.097

k_2 : 0.111