



Model: C6913V1

Basic size of
 mm

d:	65
D:	90
B:	45

The basic rated load is
 kN

trends C:	196
static state Co:	355
Fatigue load limit Pu:	38

Rated rotation speed is
 r/min

Refer to the speed:	-
limit speed:	1800
quality:	0.93

model

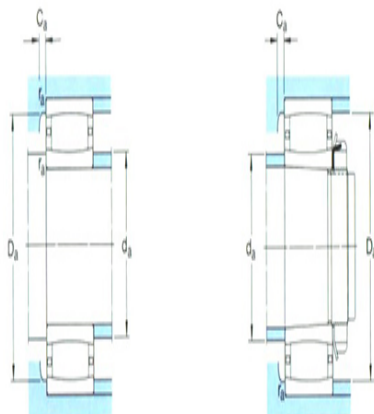
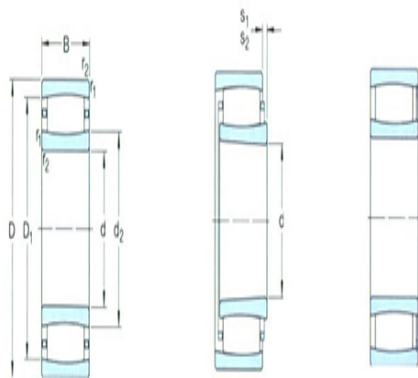
Bearing cylindrical hole:	*C6913V1)
conical bore:	-

Dimensions are
 mm

d:	65
d ₂ ~ :	72.9
D1 ~ :	81.4
r _{1,2} the min:	1
s ₁ ¹⁾ ~ :	7.9
s ₂ ¹⁾ ~ :	4.7

Shoulder gear and chamfer size
 mm

d _a the min:	69.6
d _a the max:	72
Da the min:	-
Da the max:	85.4
Ca ²⁾ the max:	-
r _a the max:	1



Calculation coefficient

k_1 : 0.096

k_2 : 0.107