



Model: C2213V

Basic size of
mm

d:	65
D:	120
B:	31

The basic rated load is
kN

trends C:	204
static state Co:	216
Fatigue load limit Pu:	25.5

Rated rotation speed is
r/min

Refer to the speed:	-
limit speed:	2400
quality:	1.47

model

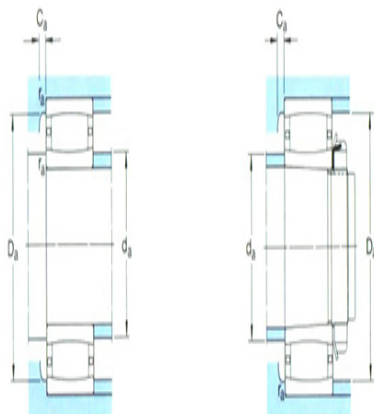
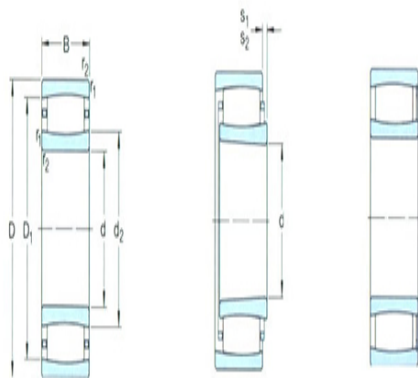
Bearing cylindrical hole:	*C2213V
conical bore:	*C2213K V

Dimensions are
mm

d:	65
d ₂ ~ :	79
D1 ~ :	106
r _{1,2} the min:	1.5
s ₁ ¹⁾ ~ :	9.6
s ₂ ¹⁾ ~ :	5.3

Shoulder gear and chamfer size
mm

d _a the min:	74
d _a the max:	97
Da the min:	-
Da the max:	111
Ca ²⁾ the max:	-



r_a the max:	1.5
----------------	-----

Calculation coefficient

k_1 :	0.097
---------	-------

k_2 :	0.127
---------	-------