



Model: C5914V1

Basic size of
 mm

d:	70
D:	100
B:	40

The basic rated load is
 kN

trends C:	196
static state Co:	310
Fatigue load limit Pu:	34.5

Rated rotation speed is
 r/min

Refer to the speed:	-
limit speed:	2000
quality:	1

model

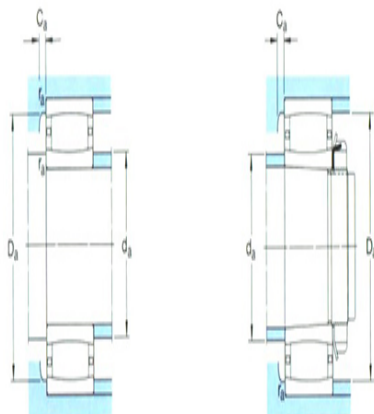
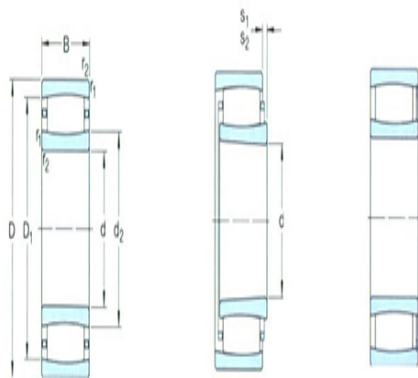
Bearing cylindrical hole:	*C5914V1)
conical bore:	-

Dimensions are
 mm

d:	70
$d_2 \sim$:	78.7
$D_1 \sim$:	90.3
$r_{1,2}$ the min:	1
$s_1^{1)} \sim$:	9.4
$s_2^{1)} \sim$:	6.2

Shoulder gear and chamfer size
 mm

d_a the min:	74.6
d_a the max:	78
D_a the min:	-
D_a the max:	95.4
$Ca^{2)}$ the max:	-
r_a the max:	1



Calculation coefficient

k_1 : 0.114

k_2 : 0.095