



### Model: C6914V1

Basic size of  
 mm

d:	70
D:	100
B:	54

The basic rated load is  
 kN

trends C:	265
static state Co:	455
Fatigue load limit Pu:	49

Rated rotation speed is  
 r/min

Refer to the speed:	-
limit speed:	1700
quality:	1.4

model

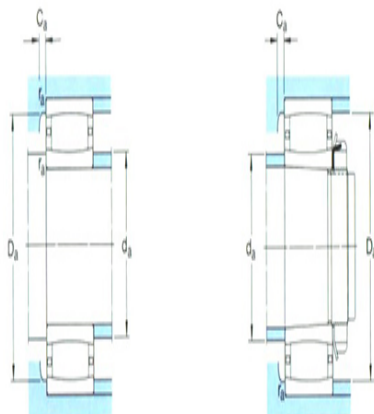
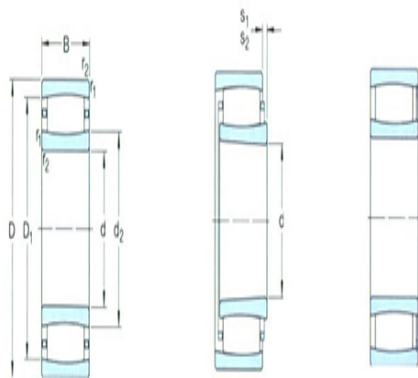
Bearing cylindrical hole:	*C6914V1 )
conical bore:	-

Dimensions are  
 mm

d:	70
$d_2 \sim$ :	79.1
$D_1 \sim$ :	89.8
$r_{1,2}$ the min:	1
$s_1^{1)} \sim$ :	9
$s_2^{1)} \sim$ :	5.8

Shoulder gear and chamfer size  
 mm

$d_a$ the min:	74.6
$d_a$ the max:	79
$D_a$ the min:	-
$D_a$ the max:	95.4
$Ca^{2)}$ the max:	-
$r_a$ the max:	1



### Calculation coefficient

$k_1$ : 0.102

$k_2$ : 0.1