



Model: C2214V

Basic size of
 mm

d:	70
D:	125
B:	31

The basic rated load is
 kN

trends C:	212
static state Co:	228
Fatigue load limit Pu:	27

Rated rotation speed is
 r/min

Refer to the speed:	-
limit speed:	2400
quality:	1.5

model

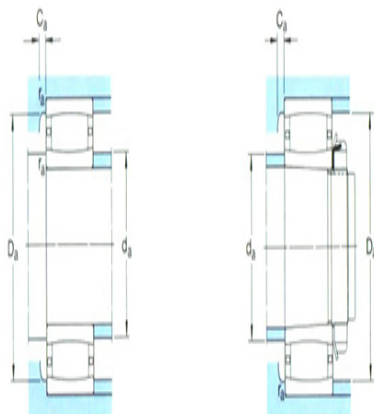
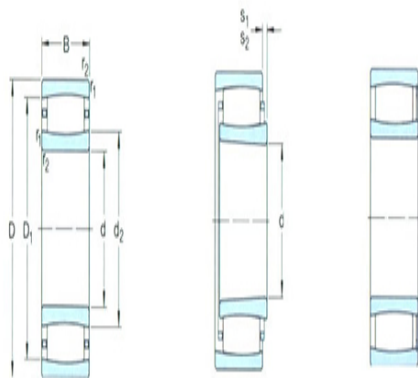
Bearing cylindrical hole:	*C2214V
conical bore:	*C2214K V

Dimensions are
 mm

d:	70
d ₂ ~ :	83.7
D1 ~ :	111
r _{1,2} the min:	1.5
s ₁ ¹⁾ ~ :	9.6
s ₂ ¹⁾ ~ :	5.3

Shoulder gear and chamfer size
 mm

d _a the min:	79
d _a the max:	102
Da the min:	-
Da the max:	116
Ca ²⁾ the max:	-



r_a the max:	1.5
----------------	-----

Calculation coefficient

k_1 :	0.098
---------	-------

k_2 :	0.127
---------	-------