



## Model: C2314

Basic size of  
 mm

d:	70
D:	150
B:	51

The basic rated load is  
 kN

trends C:	405
static state Co:	430
Fatigue load limit Pu:	49

Rated rotation speed is  
 r/min

Refer to the speed:	3800
limit speed:	5000
quality:	4.25

model

Bearing cylindrical hole:	*C2314
conical bore:	*C2314K

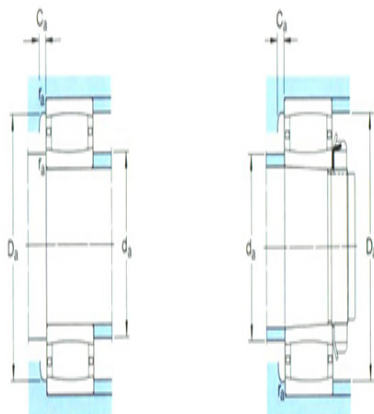
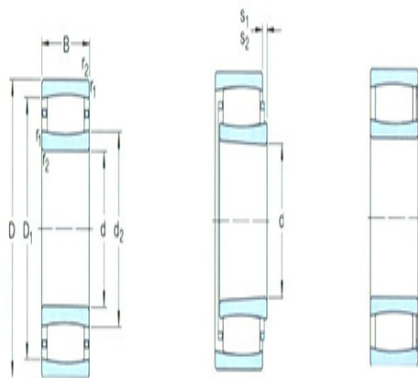
Dimensions are  
 mm

d:	70
d <sub>2</sub> ~ :	91.4
D1 ~ :	130
r <sub>1,2</sub> the min:	2.1
s <sub>1</sub> <sup>1)</sup> ~ :	9.1
s <sub>2</sub> <sup>1)</sup> ~ :	-

Shoulder gear and chamfer size  
 mm

d <sub>a</sub> the min:	82
d <sub>a</sub> the max:	105
Da the min:	120
Da the max:	138
Ca <sup>2)</sup> the max:	2.2
r <sub>a</sub> the max:	2

Calculation coefficient



$k_1:$  0.11

$k_2:$  0.099