



Model: C5915V

Basic size of
mm

d:	75
D:	105
B:	40

The basic rated load is
kN

trends C:	204
static state Co:	325
Fatigue load limit Pu:	37.5

Rated rotation speed is
r/min

Refer to the speed:	-
limit speed:	1900
quality:	1.1

model

Bearing cylindrical hole:	*C5915V
conical bore:	-

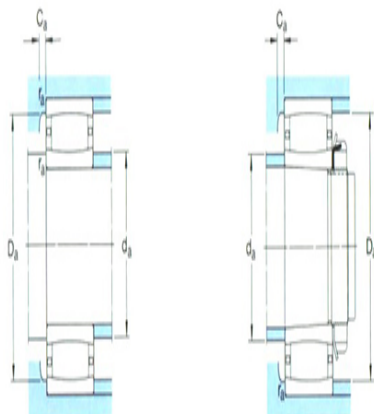
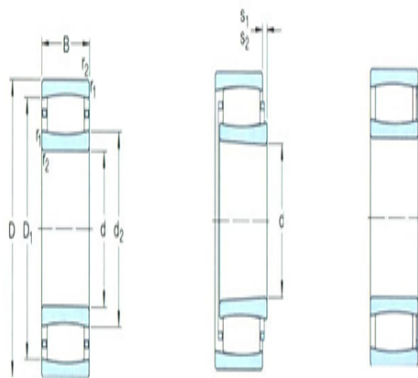
Dimensions are
mm

d:	75
d ₂ ~ :	83.6
D1 ~ :	95.5
r _{1,2} the min:	1
s ₁ ¹⁾ ~ :	9.4
s ₂ ¹⁾ ~ :	6.2

Shoulder gear and chamfer size
mm

d _a the min:	79.6
d _a the max:	89
Da the min:	-
Da the max:	100
Ca ²⁾ the max:	-
r _a the max:	1

Calculation coefficient



$k_1:$ 0.098

$k_2:$ 0.114