



## Model: C6915V/VE240

Basic size of  
mm

d:	75
D:	105
B:	54

The basic rated load is  
kN

trends C:	204
static state Co:	325
Fatigue load limit Pu:	37.5

Rated rotation speed is  
r/min

Refer to the speed:	-
limit speed:	1600
quality:	1.4

model

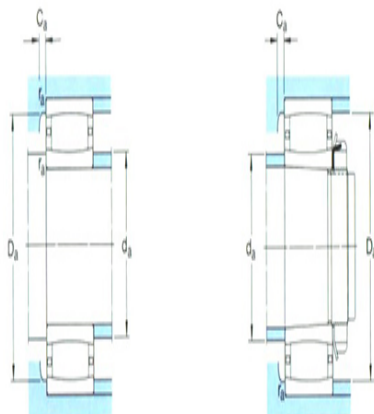
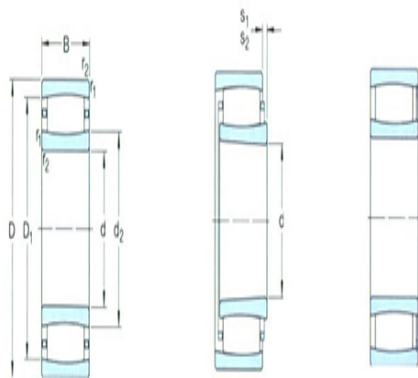
Bearing cylindrical hole:	*C6915V/VE24
conical bore:	0

Dimensions are  
mm

d:	75
d <sub>2</sub> ~ :	83.6
D1 ~ :	95.5
r <sub>1,2</sub> the min:	1
s <sub>1</sub> <sup>1)</sup> ~ :	9.2
s <sub>2</sub> <sup>1)</sup> ~ :	9.2

Shoulder gear and chamfer size  
mm

d <sub>a</sub> the min:	79.6
d <sub>a</sub> the max:	88
Da the min:	-
Da the max:	100
Ca <sup>2)</sup> the max:	-



$r_a$  the max: 1

Calculation coefficient

$k_1$ : 0.073

$k_2$ : 0.154