



## Model: C2215

Basic size of  
mm

d:	75
D:	130
B:	31

The basic rated load is  
kN

trends C:	196
static state Co:	208
Fatigue load limit Pu:	25.5

Rated rotation speed is  
r/min

Refer to the speed:	-
limit speed:	6700
quality:	1.6

model

Bearing cylindrical hole:	*C2215
conical bore:	*C2215K

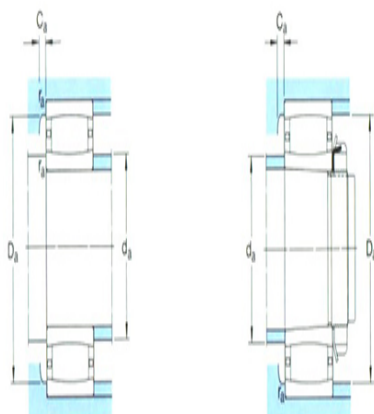
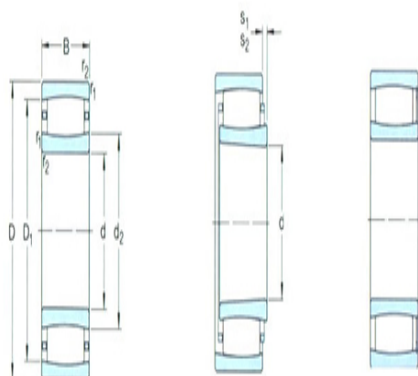
Dimensions are  
mm

d:	75
d <sub>2</sub> ~ :	88.5
D1 ~ :	115
r <sub>1,2</sub> the min:	1.5
s <sub>1</sub> <sup>1)</sup> ~ :	9.6
s <sub>2</sub> <sup>1)</sup> ~ :	-

Shoulder gear and chamfer size  
mm

d <sub>a</sub> the min:	84
d <sub>a</sub> the max:	98
Da the min:	110
Da the max:	121
Ca <sup>2)</sup> the max:	1.2
r <sub>a</sub> the max:	1.5

Calculation coefficient



$k_1:$  0.099

$k_2:$  0.127