



Model: C5916V1

Basic size of
mm

d:	80
D:	110
B:	40

The basic rated load is
kN

trends C:	208
static state Co:	345
Fatigue load limit Pu:	40

Rated rotation speed is
r/min

Refer to the speed:	-
limit speed:	1800
quality:	1.2

model

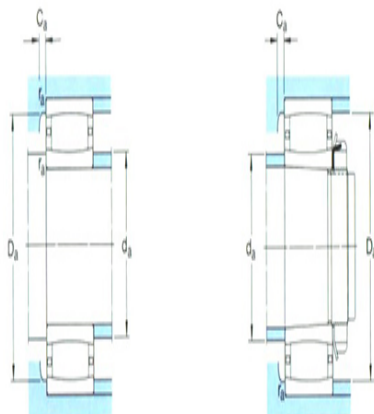
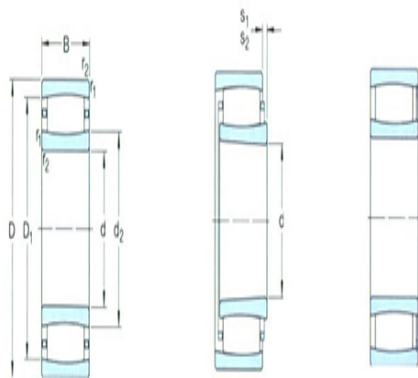
Bearing cylindrical hole:	*C5916V1)
conical bore:	-

Dimensions are
mm

d:	80
$d_2 \sim$:	88.8
$D_1 \sim$:	101
$r_{1,2}$ the min:	1
$s_1^{1)} \sim$:	9.4
$s_2^{1)} \sim$:	5.1

Shoulder gear and chamfer size
mm

d_a the min:	84.6
d_a the max:	88
D_a the min:	-
D_a the max:	105
$Ca^{2)}$ the max:	-
r_a the max:	1



Calculation coefficient

k_1 : 0.114

k_2 : 0.098