



Model: C2216

Basic size of
 mm

d:	80
D:	140
B:	33

The basic rated load is
 kN

trends C:	220
static state Co:	250
Fatigue load limit Pu:	28.5

Rated rotation speed is
 r/min

Refer to the speed:	4500
limit speed:	6000
quality:	2

model

Bearing cylindrical hole:	*C2216
conical bore:	*C2216K

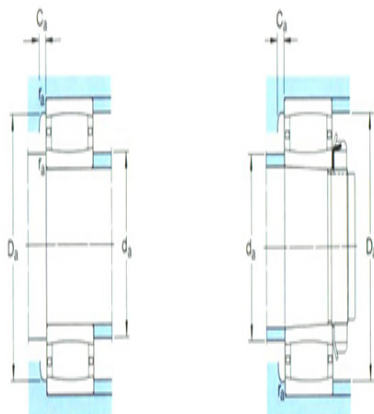
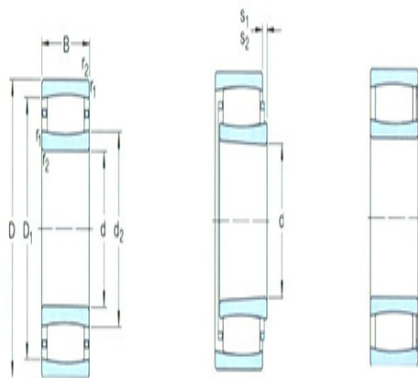
Dimensions are
 mm

d:	80
d ₂ ~ :	98.1
D1 ~ :	125
r _{1,2} the min:	2
s ₁ ¹⁾ ~ :	9.1
s ₂ ¹⁾ ~ :	-

Shoulder gear and chamfer size
 mm

d _a the min:	91
d _a the max:	105
Da the min:	120
Da the max:	129
Ca ²⁾ the max:	1.2
r _a the max:	2

Calculation coefficient



$k_1:$ 0.104

$k_2:$ 0.121