



## Model: C2316

Basic size of  
mm

d:	80
D:	170
B:	58

The basic rated load is  
kN

trends C:	510
static state Co:	550
Fatigue load limit Pu:	61

Rated rotation speed is  
r/min

Refer to the speed:	3400
limit speed:	4500
quality:	6.2

model

Bearing cylindrical hole:	*C2316
conical bore:	*C2316K

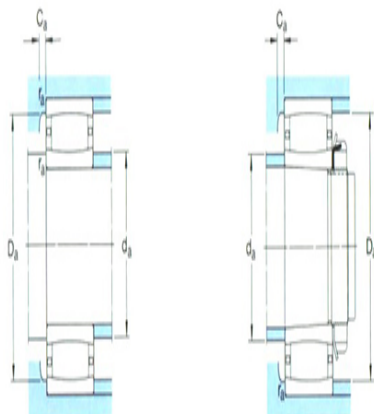
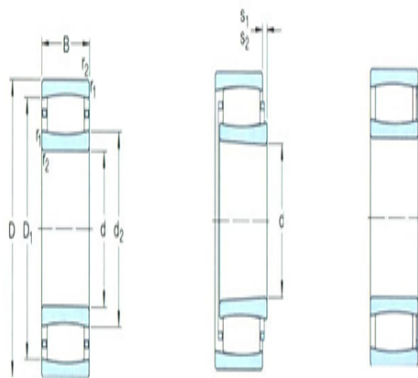
Dimensions are  
mm

d:	80
d <sub>2</sub> ~ :	102
D1 ~ :	145
r <sub>1,2</sub> the min:	2.1
s <sub>1</sub> <sup>1)</sup> ~ :	10.1
s <sub>2</sub> <sup>1)</sup> ~ :	-

Shoulder gear and chamfer size  
mm

d <sub>a</sub> the min:	92
d <sub>a</sub> the max:	115
Da the min:	135
Da the max:	158
Ca <sup>2)</sup> the max:	2.4
r <sub>a</sub> the max:	2

Calculation coefficient



$k_1:$  0.107

$k_2:$  0.101