



Model: C4917V1

Basic size of
 mm

| | |
|----|-----|
| d: | 85 |
| D: | 120 |
| B: | 35 |

The basic rated load is
 kN

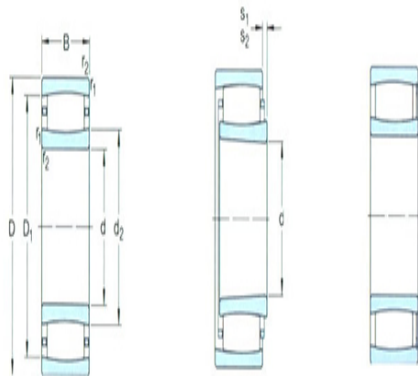
| | |
|------------------------|------|
| trends C: | 224 |
| static state Co: | 355 |
| Fatigue load limit Pu: | 40.5 |

Rated rotation speed is
 r/min

| | |
|---------------------|------|
| Refer to the speed: | - |
| limit speed: | 2000 |
| quality: | 1.3 |

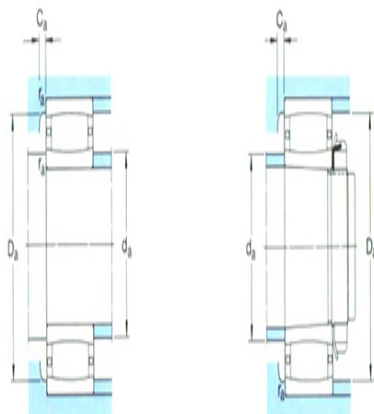
model

| | |
|---------------------------|---------------|
| Bearing cylindrical hole: | *C4917V1) |
| conical bore: | *C4917K30V1) |



Dimensions are
 mm

| | |
|----------------------------------|------|
| d: | 85 |
| d ₂ ~ : | 94.5 |
| D1 ~ : | 109 |
| r _{1,2} the min: | 1.1 |
| s ₁ ¹⁾ ~ : | 6 |
| s ₂ ¹⁾ ~ : | 1.7 |



Shoulder gear and chamfer size
 mm

| | |
|---------------------------|-----|
| d _a the min: | 91 |
| d _a the max: | 94 |
| Da the min: | - |
| Da the max: | 114 |
| Ca ²⁾ the max: | - |

r_a the max: 1

Calculation coefficient

k_1 : 0.1

k_2 : 0.114