



Model: C5917V1

Basic size of
 mm

d:	85
D:	120
B:	46

The basic rated load is
 kN

trends C:	275
static state Co:	465
Fatigue load limit Pu:	52

Rated rotation speed is
 r/min

Refer to the speed:	-
limit speed:	1700
quality:	1.7

model

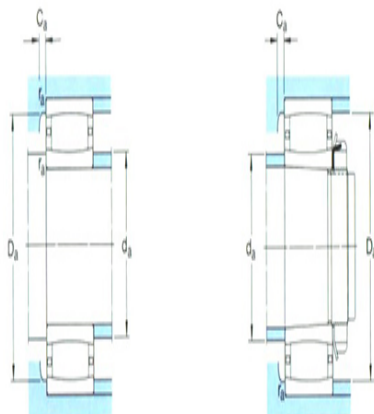
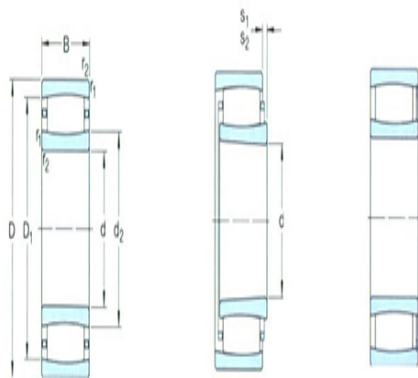
Bearing cylindrical hole:	*C5917V1)
conical bore:	-

Dimensions are
 mm

d:	85
d ₂ ~ :	95
D1 ~ :	109
r _{1,2} the min:	1.1
s ₁ ¹⁾ ~ :	8.9
s ₂ ¹⁾ ~ :	4.6

Shoulder gear and chamfer size
 mm

d _a the min:	91
d _a the max:	95
Da the min:	-
Da the max:	114
Ca ²⁾ the max:	-
r _a the max:	1



Calculation coefficient

k_1 : 0.098

k_2 : 0.109