



Model: C2217V

Basic size of
 mm

| | |
|----|-----|
| d: | 85 |
| D: | 150 |
| B: | 36 |

The basic rated load is
 kN

| | |
|------------------------|-----|
| trends C: | 315 |
| static state Co: | 390 |
| Fatigue load limit Pu: | 44 |

Rated rotation speed is
 r/min

| | |
|---------------------|------|
| Refer to the speed: | - |
| limit speed: | 1800 |
| quality: | 2.8 |

model

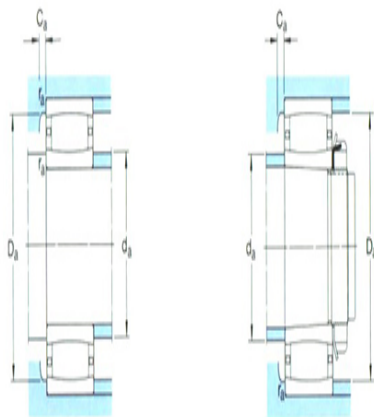
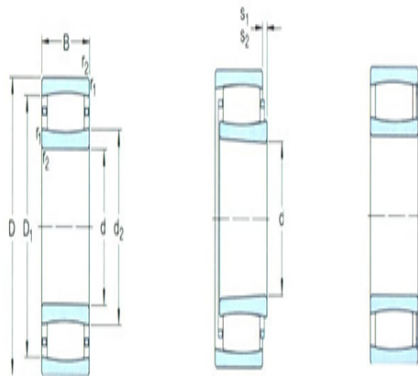
| | |
|---------------------------|-----------|
| Bearing cylindrical hole: | *C2217V |
| conical bore: | *C2217K V |

Dimensions are
 mm

| | |
|----------------------------------|-----|
| d: | 85 |
| d ₂ ~ : | 104 |
| D1 ~ : | 133 |
| r _{1,2} the min: | 2 |
| s ₁ ¹⁾ ~ : | 7.1 |
| s ₂ ¹⁾ ~ : | 1.7 |

Shoulder gear and chamfer size
 mm

| | |
|---------------------------|-----|
| d _a the min: | 96 |
| d _a the max: | 115 |
| Da the min: | - |
| Da the max: | 139 |
| Ca ²⁾ the max: | - |



| | |
|----------------|---|
| r_a the max: | 2 |
|----------------|---|

Calculation coefficient

| | |
|---------|-------|
| k_1 : | 0.114 |
|---------|-------|

| | |
|---------|-------|
| k_2 : | 0.105 |
|---------|-------|