



**Model: C4912K30V1**

Basic size of  
 mm

d:	60
D:	85
B:	25

The basic rated load is  
 kN

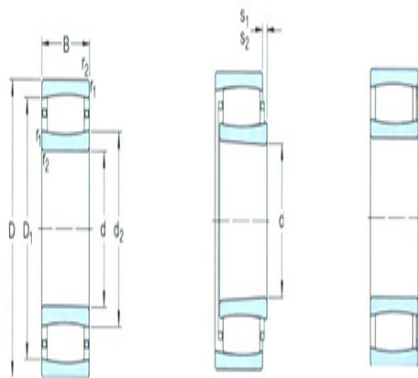
trends C:	112
static state Co:	170
Fatigue load limit Pu:	19.6

Rated rotation speed is  
 r/min

Refer to the speed:	-
limit speed:	3000
quality:	0.46

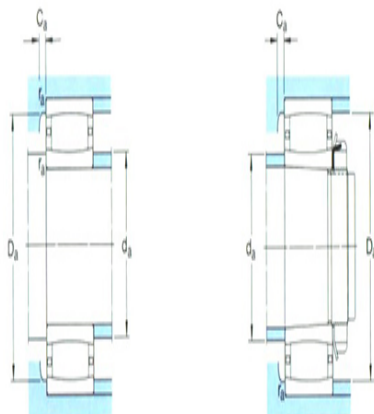
model

Bearing cylindrical hole:	*C4912V1)
conical bore:	*C4912K30V1 )



Dimensions are  
 mm

d:	60
d <sub>2</sub> ~ :	68
D1 ~ :	78.2
r <sub>1,2</sub> the min:	1
s <sub>1</sub> <sup>1)</sup> ~ :	5.5
s <sub>2</sub> <sup>1)</sup> ~ :	2.3



Shoulder gear and chamfer size  
 mm

d <sub>a</sub> the min:	64.6
d <sub>a</sub> the max:	68
Da the min:	-
Da the max:	80.4
Ca <sup>2)</sup> the max:	-

$r_a$ the max:	1
----------------	---

Calculation coefficient

$k_1$ :	0.107
---------	-------

$k_2$ :	0.108
---------	-------