



Model: C2212KTN9

Basic size of
 mm

d:	60
D:	110
B:	28

The basic rated load is
 kN

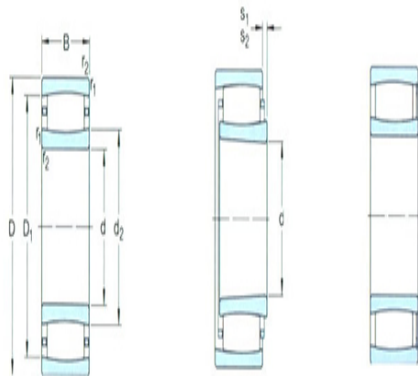
trends C:	143
static state Co:	156
Fatigue load limit Pu:	18.3

Rated rotation speed is
 r/min

Refer to the speed:	5600
limit speed:	7500
quality:	1.1

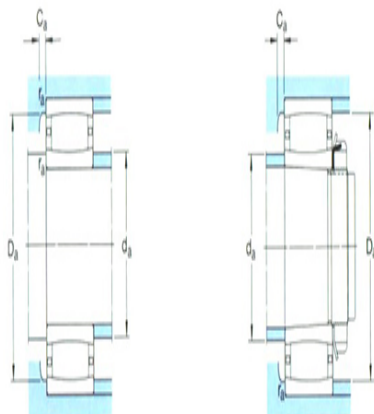
model

Bearing cylindrical hole:	*C2212TN9
conical bore:	*C2212KTN9



Dimensions are
 mm

d:	60
d ₂ ~ :	77.1
D1 ~ :	97.9
r _{1,2} the min:	1.5
s ₁ ¹⁾ ~ :	8.5
s ₂ ¹⁾ ~ :	-



Shoulder gear and chamfer size
 mm

d _a the min:	69
d _a the max:	77
Da the min:	95
Da the max:	101
Ca ²⁾ the max:	0.3

r_a the max:	1.5
----------------	-----

Calculation coefficient

k_1 :	0.1
---------	-----

k_2 :	0.123
---------	-------