



Model: C2212KV

Basic size of
mm

d:	60
D:	110
B:	28

The basic rated load is
kN

trends C:	166
static state Co:	190
Fatigue load limit Pu:	22.4

Rated rotation speed is
r/min

Refer to the speed:	-
limit speed:	2800
quality:	1.15

model

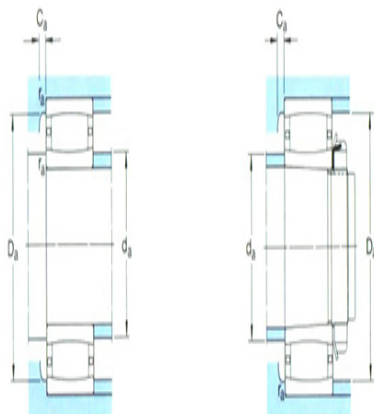
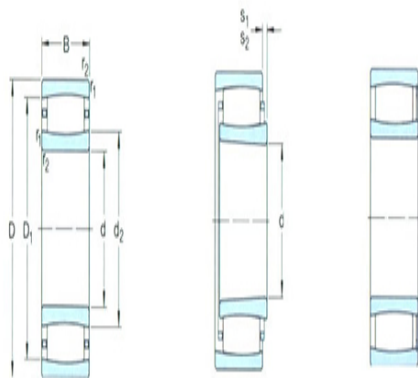
Bearing cylindrical hole:	*C2212V
conical bore:	*C2212K V

Dimensions are
mm

d:	60
d ₂ ~ :	77.1
D1 ~ :	97.9
r _{1,2} the min:	1.5
s ₁ ¹⁾ ~ :	8.5
s ₂ ¹⁾ ~ :	5.3

Shoulder gear and chamfer size
mm

d _a the min:	69
d _a the max:	91
Da the min:	-
Da the max:	101
Ca ²⁾ the max:	-



r_a the max:	1.5
----------------	-----

Calculation coefficient

k_1 :	0.1
---------	-----

k_2 :	0.123
---------	-------