



Model: C4913K30V1

Basic size of
 mm

d:	65
D:	90
B:	25

The basic rated load is
 kN

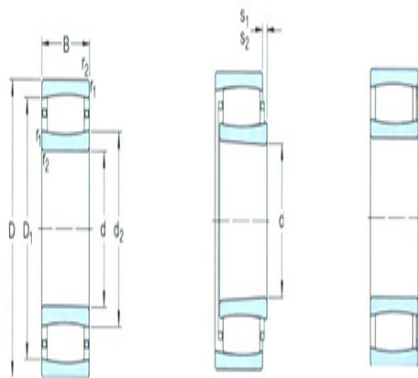
trends C:	116
static state Co:	180
Fatigue load limit Pu:	20.8

Rated rotation speed is
 r/min

Refer to the speed:	-
limit speed:	2800
quality:	0.5

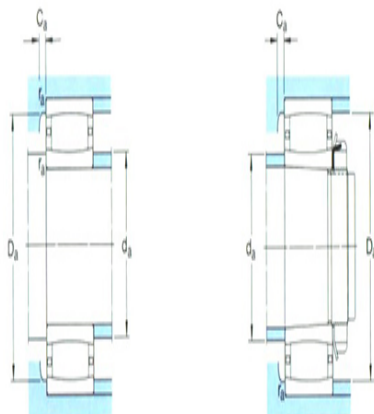
model

Bearing cylindrical hole:	*C4913V1)
conical bore:	*C4913K30V1)



Dimensions are
 mm

d:	65
d ₂ ~ :	72.1
D1 ~ :	82.2
r _{1,2} the min:	1
s ₁ ¹⁾ ~ :	5.5
s ₂ ¹⁾ ~ :	2.3



Shoulder gear and chamfer size
 mm

d _a the min:	69.6
d _a the max:	72
Da the min:	-
Da the max:	85.4
Ca ²⁾ the max:	-

r_a the max: 1

Calculation coefficient

k_1 : 0.107

k_2 : 0.109