



**Model: C4013K30V1**

Basic size of  
 mm

d:	65
D:	100
B:	35

The basic rated load is  
 kN

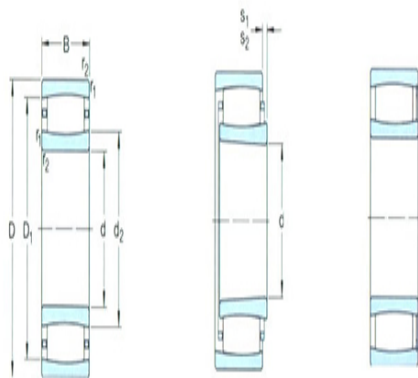
trends C:	196
static state Co:	275
Fatigue load limit Pu:	32

Rated rotation speed is  
 r/min

Refer to the speed:	-
limit speed:	2400
quality:	1

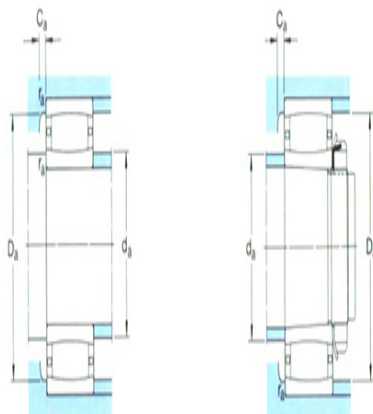
model

Bearing cylindrical hole:	*C4013V1)
conical bore:	*C4013K30V1 )



Dimensions are  
 mm

d:	65
d <sub>2</sub> ~ :	74.2
D1 ~ :	89.1
r <sub>1,2</sub> the min:	1.1
s <sub>1</sub> <sup>1)</sup> ~ :	6
s <sub>2</sub> <sup>1)</sup> ~ :	2.8



Shoulder gear and chamfer size  
 mm

d <sub>a</sub> the min:	71
d <sub>a</sub> the max:	74
Da the min:	-
Da the max:	94
Ca <sup>2)</sup> the max:	-

$r_a$ the max:	1
----------------	---

Calculation coefficient

$k_1$ :	0.1
---------	-----

$k_2$ :	0.108
---------	-------