



**Model: C2213KTN9**

Basic size of  
 mm

d:	65
D:	120
B:	31

The basic rated load is  
 kN

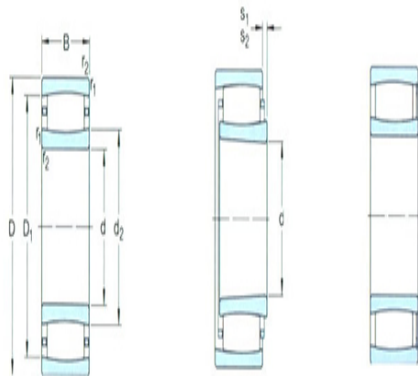
trends C:	180
static state Co:	180
Fatigue load limit Pu:	21.2

Rated rotation speed is  
 r/min

Refer to the speed:	5300
limit speed:	7500
quality:	1.4

model

Bearing cylindrical hole:	*C2213TN9
conical bore:	*C2213KTN9

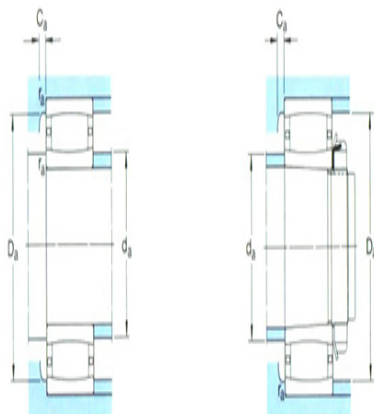


Dimensions are  
 mm

d:	65
d <sub>2</sub> ~ :	79
D1 ~ :	106
r <sub>1,2</sub> the min:	1.5
s <sub>1</sub> <sup>1)</sup> ~ :	9.6
s <sub>2</sub> <sup>1)</sup> ~ :	-

Shoulder gear and chamfer size  
 mm

d <sub>a</sub> the min:	74
d <sub>a</sub> the max:	79
Da the min:	102
Da the max:	111
Ca <sup>2)</sup> the max:	0.2



$r_a$ the max:	1.5
----------------	-----

Calculation coefficient

$k_1$ :	0.097
---------	-------

$k_2$ :	0.127
---------	-------