



## Model: C2213KV

Basic size of  
mm

d:	65
D:	120
B:	31

The basic rated load is  
kN

trends C:	204
static state Co:	216
Fatigue load limit Pu:	25.5

Rated rotation speed is  
r/min

Refer to the speed:	-
limit speed:	2400
quality:	1.47

model

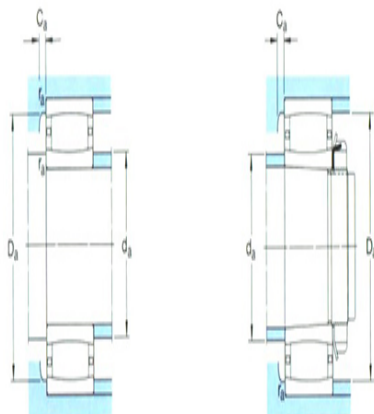
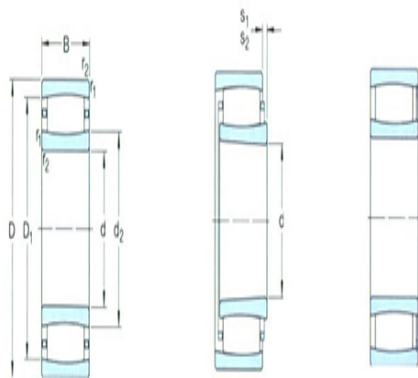
Bearing cylindrical hole:	*C2213V
conical bore:	*C2213K V

Dimensions are  
mm

d:	65
d <sub>2</sub> ~ :	79
D1 ~ :	106
r <sub>1,2</sub> the min:	1.5
s <sub>1</sub> <sup>1)</sup> ~ :	9.6
s <sub>2</sub> <sup>1)</sup> ~ :	5.3

Shoulder gear and chamfer size  
mm

d <sub>a</sub> the min:	74
d <sub>a</sub> the max:	97
Da the min:	-
Da the max:	111
Ca <sup>2)</sup> the max:	-



$r_a$ the max:	1.5
----------------	-----

Calculation coefficient

$k_1$ :	0.097
---------	-------

$k_2$ :	0.127
---------	-------