



Model: C2214KTN9

Basic size of
 mm

d:	70
D:	125
B:	31

The basic rated load is
 kN

trends C:	186
static state Co:	196
Fatigue load limit Pu:	23.2

Rated rotation speed is
 r/min

Refer to the speed:	5000
limit speed:	7000
quality:	1.45

model

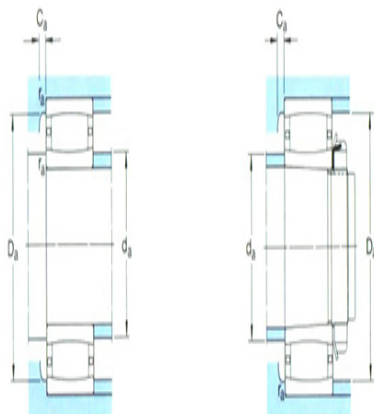
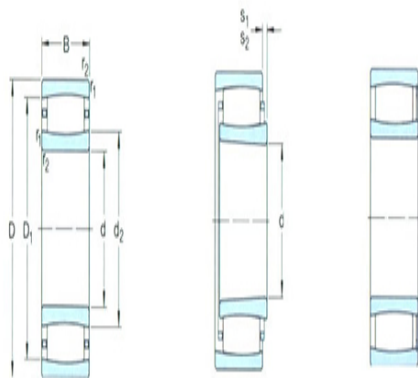
Bearing cylindrical hole:	*C2214TN9
conical bore:	*C2214KTN9

Dimensions are
 mm

d:	70
d ₂ ~ :	83.7
D1 ~ :	111
r _{1,2} the min:	1.5
s ₁ ¹⁾ ~ :	9.6
s ₂ ¹⁾ ~ :	-

Shoulder gear and chamfer size
 mm

d _a the min:	79
d _a the max:	83
Da the min:	107
Da the max:	116
Ca ²⁾ the max:	0.4



r_a the max:	1.5
----------------	-----

Calculation coefficient

k_1 :	0.098
---------	-------

k_2 :	0.127
---------	-------