



Model: C4915K30V1

Basic size of
 mm

| | |
|----|-----|
| d: | 75 |
| D: | 105 |
| B: | 30 |

The basic rated load is
 kN

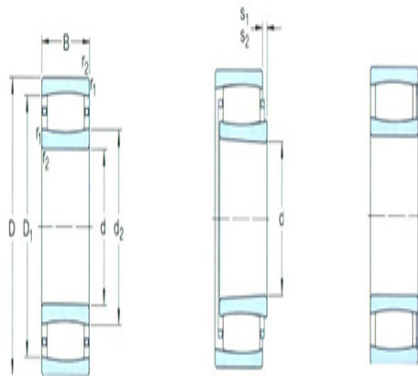
| | |
|------------------------|-----|
| trends C: | 166 |
| static state Co: | 255 |
| Fatigue load limit Pu: | 30 |

Rated rotation speed is
 r/min

| | |
|---------------------|------|
| Refer to the speed: | - |
| limit speed: | 2400 |
| quality: | 0.82 |

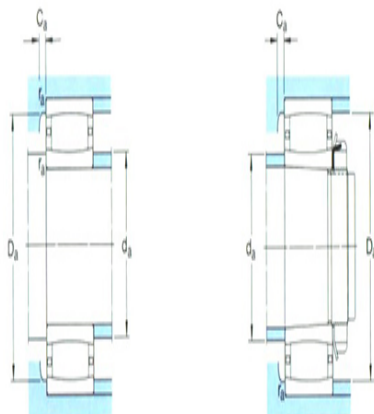
model

| | |
|---------------------------|---------------|
| Bearing cylindrical hole: | *C4915V1) |
| conical bore: | *C4915K30V1) |



Dimensions are
 mm

| | |
|----------------------------------|------|
| d: | 75 |
| d ₂ ~ : | 83.1 |
| D1 ~ : | 96.1 |
| r _{1,2} the min: | 1 |
| s ₁ ¹⁾ ~ : | 6 |
| s ₂ ¹⁾ ~ : | 2.8 |



Shoulder gear and chamfer size
 mm

| | |
|---------------------------|------|
| d _a the min: | 79.6 |
| d _a the max: | 83 |
| Da the min: | - |
| Da the max: | 100 |
| Ca ²⁾ the max: | - |

| | |
|----------------|---|
| r_a the max: | 1 |
|----------------|---|

Calculation coefficient

| | |
|---------|-------|
| k_1 : | 0.107 |
|---------|-------|

| | |
|---------|-------|
| k_2 : | 0.108 |
|---------|-------|