



Model: C4015K30V1

Basic size of
 mm

d:	75
D:	115
B:	40

The basic rated load is
 kN

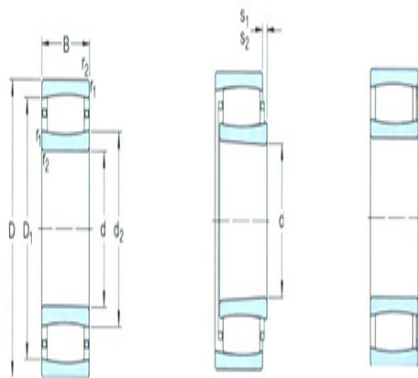
trends C:	236
static state Co:	345
Fatigue load limit Pu:	40

Rated rotation speed is
 r/min

Refer to the speed:	-
limit speed:	2000
quality:	1.5

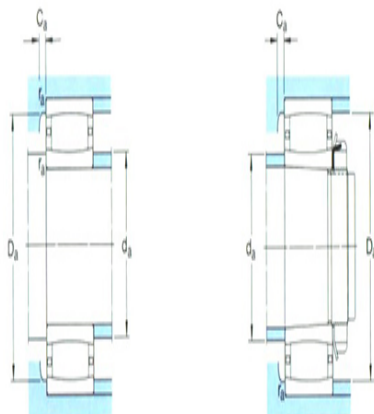
model

Bearing cylindrical hole:	*C4015V1)
conical bore:	*C4015K30V1)



Dimensions are
 mm

d:	75
d ₂ ~ :	87.6
D1 ~ :	104
r _{1,2} the min:	1.1
s ₁ ¹⁾ ~ :	9.4
s ₂ ¹⁾ ~ :	5.1



Shoulder gear and chamfer size
 mm

d _a the min:	81
d _a the max:	87
Da the min:	-
Da the max:	109
Ca ²⁾ the max:	-

r_a the max:	1
----------------	---

Calculation coefficient

k_1 :	0.115
---------	-------

k_2 :	0.097
---------	-------