



Model: C2215K

Basic size of
 mm

d:	75
D:	130
B:	31

The basic rated load is
 kN

trends C:	196
static state Co:	208
Fatigue load limit Pu:	25.5

Rated rotation speed is
 r/min

Refer to the speed:	-
limit speed:	6700
quality:	1.6

model

Bearing cylindrical hole:	*C2215
conical bore:	*C2215K

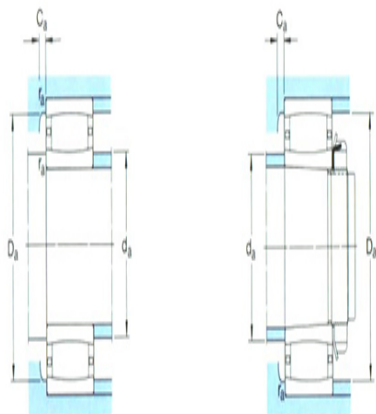
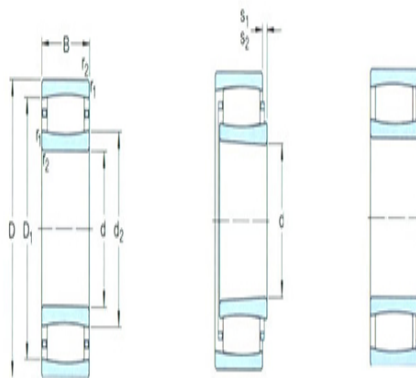
Dimensions are
 mm

d:	75
d ₂ ~ :	88.5
D1 ~ :	115
r _{1,2} the min:	1.5
s ₁ ¹⁾ ~ :	9.6
s ₂ ¹⁾ ~ :	-

Shoulder gear and chamfer size
 mm

d _a the min:	84
d _a the max:	98
Da the min:	110
Da the max:	121
Ca ²⁾ the max:	1.2
r _a the max:	1.5

Calculation coefficient



k_1 : 0.099

k_2 : 0.127