



Model: C2315K

Basic size of
mm

d:	75
D:	160
B:	55

The basic rated load is
kN

trends C:	425
static state Co:	465
Fatigue load limit Pu:	52

Rated rotation speed is
r/min

Refer to the speed:	3600
limit speed:	4800
quality:	5.2

model

Bearing cylindrical hole:	*C2315
conical bore:	*C2315K

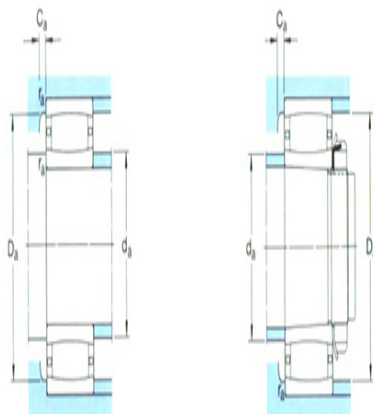
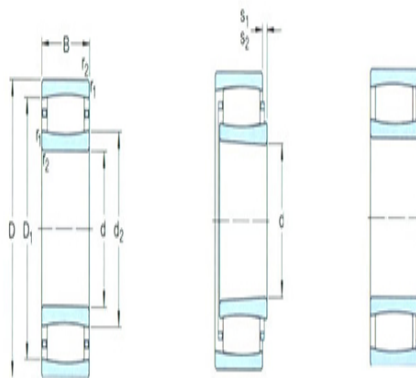
Dimensions are
mm

d:	75
d ₂ ~ :	98.5
D1 ~ :	135
r _{1,2} the min:	2.1
s ₁ ¹⁾ ~ :	13.1
s ₂ ¹⁾ ~ :	-

Shoulder gear and chamfer size
mm

d _a the min:	87
d _a the max:	110
Da the min:	130
Da the max:	148
Ca ²⁾ the max:	2.2
r _a the max:	2

Calculation coefficient



$k_1:$ 0.103

$k_2:$ 0.107