



Model: C4916K30V1

Basic size of
 mm

d:	80
D:	110
B:	30

The basic rated load is
 kN

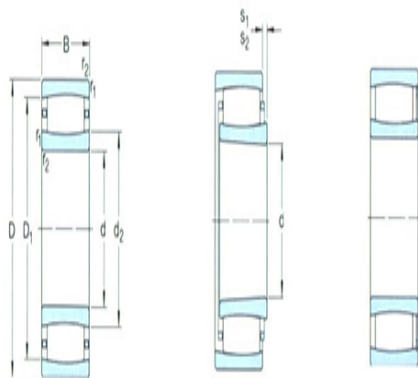
trends C:	173
static state Co:	275
Fatigue load limit Pu:	31.5

Rated rotation speed is
 r/min

Refer to the speed:	-
limit speed:	2200
quality:	0.87

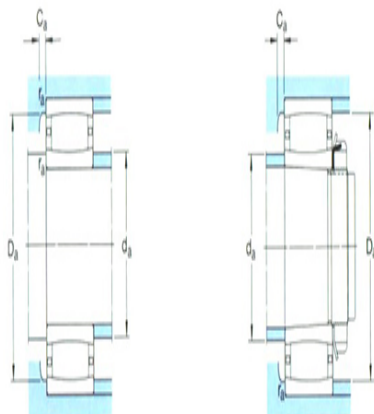
model

Bearing cylindrical hole:	*C4916V1)
conical bore:	*C4916K30V1)



Dimensions are
 mm

d:	80
d ₂ ~ :	88.2
D1 ~ :	101
r _{1,2} the min:	1
s ₁ ¹⁾ ~ :	6
s ₂ ¹⁾ ~ :	1.7



Shoulder gear and chamfer size
 mm

d _a the min:	84.6
d _a the max:	88
Da the min:	-
Da the max:	105
Ca ²⁾ the max:	-

r_a the max: 1

Calculation coefficient

k_1 : 0.107

k_2 : 0.11