



## Model: C2216K

Basic size of  
mm

d:	80
D:	140
B:	33

The basic rated load is  
kN

trends C:	220
static state Co:	250
Fatigue load limit Pu:	28.5

Rated rotation speed is  
r/min

Refer to the speed:	4500
limit speed:	6000
quality:	2

model

Bearing cylindrical hole:	*C2216
conical bore:	*C2216K

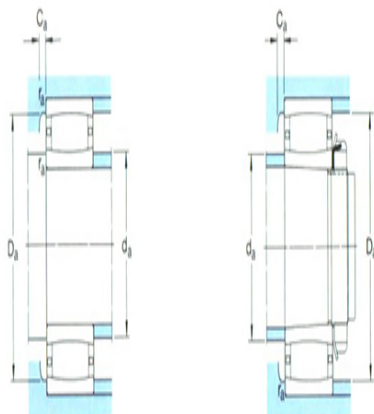
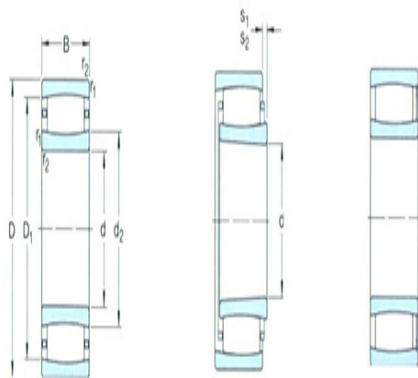
Dimensions are  
mm

d:	80
d <sub>2</sub> ~ :	98.1
D1 ~ :	125
r <sub>1,2</sub> the min:	2
s <sub>1</sub> <sup>1)</sup> ~ :	9.1
s <sub>2</sub> <sup>1)</sup> ~ :	-

Shoulder gear and chamfer size  
mm

d <sub>a</sub> the min:	91
d <sub>a</sub> the max:	105
Da the min:	120
Da the max:	129
Ca <sup>2)</sup> the max:	1.2
r <sub>a</sub> the max:	2

Calculation coefficient



$k_1:$  0.104

$k_2:$  0.121