



Model: C2216KV

Basic size of
mm

d:	80
D:	140
B:	33

The basic rated load is
kN

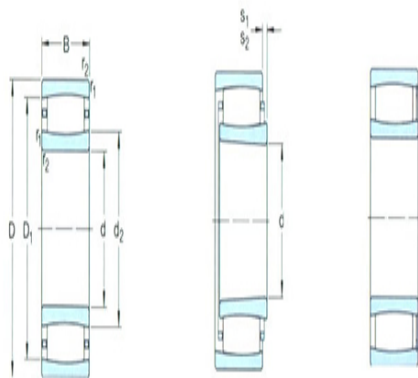
trends C:	255
static state Co:	305
Fatigue load limit Pu:	34.5

Rated rotation speed is
r/min

Refer to the speed:	-
limit speed:	2000
quality:	2.1

model

Bearing cylindrical hole:	*C2216V
conical bore:	*C2216KV

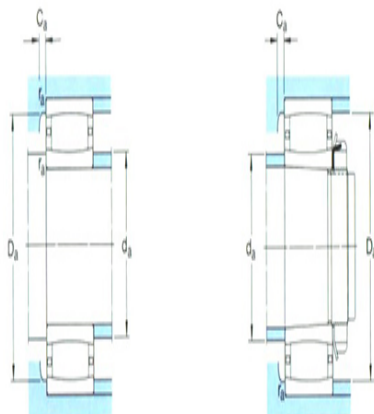


Dimensions are
mm

d:	80
d ₂ ~ :	98.1
D1 ~ :	125
r _{1,2} the min:	2
s ₁ ¹⁾ ~ :	9.1
s ₂ ¹⁾ ~ :	4.8

Shoulder gear and chamfer size
mm

d _a the min:	91
d _a the max:	115
Da the min:	-
Da the max:	129
Ca ²⁾ the max:	-



r_a the max:	2
----------------	---

Calculation coefficient

k_1 :	0.104
---------	-------

k_2 :	0.121
---------	-------