



**Model: C4917K30V1**

Basic size of  
 mm

d:	85
D:	120
B:	35

The basic rated load is  
 kN

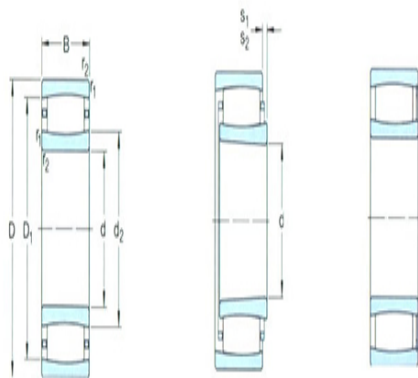
trends C:	224
static state Co:	355
Fatigue load limit Pu:	40.5

Rated rotation speed is  
 r/min

Refer to the speed:	-
limit speed:	2000
quality:	1.3

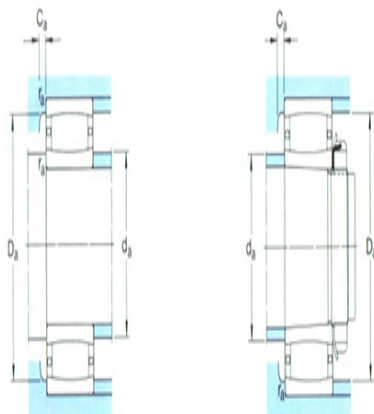
model

Bearing cylindrical hole:	*C4917V1)
conical bore:	*C4917K30V1 )



Dimensions are  
 mm

d:	85
d <sub>2</sub> ~ :	94.5
D1 ~ :	109
r <sub>1,2</sub> the min:	1.1
s <sub>1</sub> <sup>1)</sup> ~ :	6
s <sub>2</sub> <sup>1)</sup> ~ :	1.7



Shoulder gear and chamfer size  
 mm

d <sub>a</sub> the min:	91
d <sub>a</sub> the max:	94
Da the min:	-
Da the max:	114
Ca <sup>2)</sup> the max:	-

$r_a$  the max: 1

Calculation coefficient

$k_1$ : 0.1

$k_2$ : 0.114