



## Model: C2217KV

Basic size of  
 mm

d:	85
D:	150
B:	36

The basic rated load is  
 kN

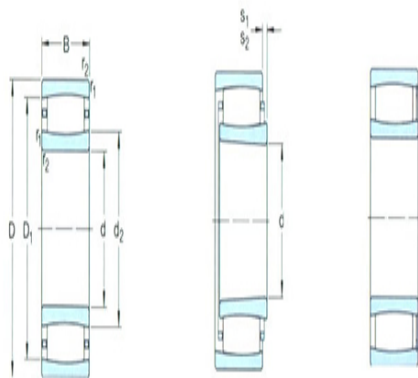
trends C:	315
static state Co:	390
Fatigue load limit Pu:	44

Rated rotation speed is  
 r/min

Refer to the speed:	-
limit speed:	1800
quality:	2.8

model

Bearing cylindrical hole:	*C2217V
conical bore:	*C2217K V

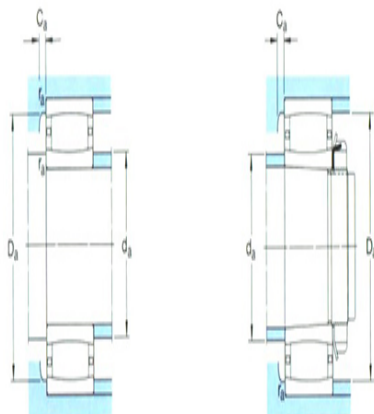


Dimensions are  
 mm

d:	85
d <sub>2</sub> ~ :	104
D1 ~ :	133
r <sub>1,2</sub> the min:	2
s <sub>1</sub> <sup>1)</sup> ~ :	7.1
s <sub>2</sub> <sup>1)</sup> ~ :	1.7

Shoulder gear and chamfer size  
 mm

d <sub>a</sub> the min:	96
d <sub>a</sub> the max:	115
Da the min:	-
Da the max:	139
Ca <sup>2)</sup> the max:	-



$r_a$ the max:	2
----------------	---

Calculation coefficient

$k_1$ :	0.114
---------	-------

$k_2$ :	0.105
---------	-------