



## Model: C2317K

Basic size of  
mm

d:	85
D:	180
B:	60

The basic rated load is  
kN

trends C:	540
static state Co:	600
Fatigue load limit Pu:	65.5

Rated rotation speed is  
r/min

Refer to the speed:	3200
limit speed:	4300
quality:	7.3

model

Bearing cylindrical hole:	*C2317
conical bore:	*C2317K

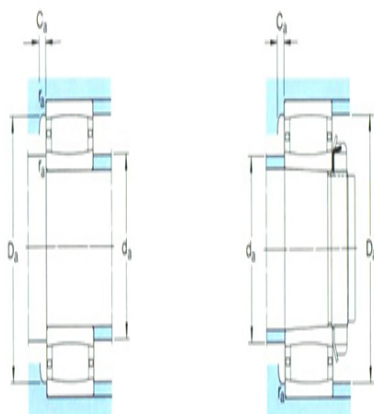
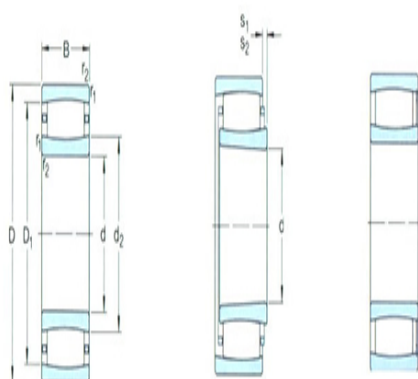
Dimensions are  
mm

d:	85
d <sub>2</sub> ~ :	110
D1 ~ :	153
r <sub>1,2</sub> the min:	3
s <sub>1</sub> <sup>1)</sup> ~ :	12.1
s <sub>2</sub> <sup>1)</sup> ~ :	-

Shoulder gear and chamfer size  
mm

d <sub>a</sub> the min:	99
d <sub>a</sub> the max:	125
Da the min:	145
Da the max:	166
Ca <sup>2)</sup> the max:	2.4
r <sub>a</sub> the max:	2.5

Calculation coefficient



$k_1:$  0.105

$k_2:$  0.105