



Model: C4918V1

Basic size of
mm

d:	90
D:	125
B:	35

The basic rated load is
kN

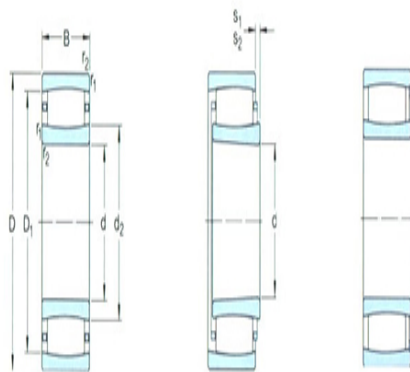
trends C:	186
static state Co:	315
Fatigue load limit Pu:	35.5

Rated rotation speed is
r/min

Refer to the speed:	-
limit speed:	2000
quality:	1.3

model

Bearing cylindrical hole:	*C4918V1)
conical bore:	*C4918K30V1)

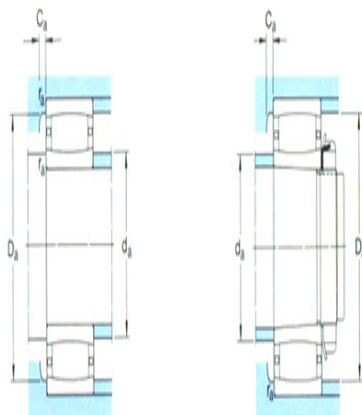


Dimensions are
mm

d:	90
d ₂ ~ :	102
D1 ~ :	113
r _{1,2} the min:	1.1
s ₁ ¹⁾ ~ :	11
s ₂ ¹⁾ ~ :	6.7

Shoulder gear and chamfer size
mm

d _a the min:	96
d _a the max:	100
Da the min:	-
Da the max:	119
Ca ²⁾ the max:	-



r_a the max:	1
----------------	---

Calculation coefficient

k_1 :	0.125
---------	-------

k_2 :	0.098
---------	-------