



Model: C5918V

Basic size of
mm

d:	90
D:	125
B:	46

The basic rated load is
kN

trends C:	224
static state Co:	400
Fatigue load limit Pu:	44

Rated rotation speed is
r/min

Refer to the speed:	-
limit speed:	1600
quality:	1.75

model

Bearing cylindrical hole:	*C5918V
conical bore:	-

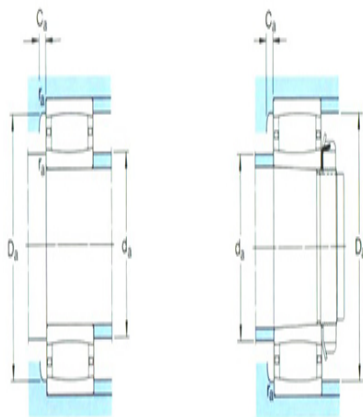
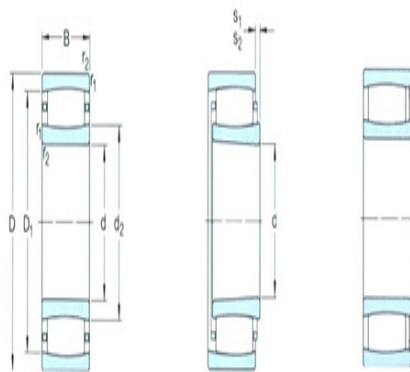
Dimensions are
mm

d:	90
d ₂ ~ :	102
D1 ~ :	113
r _{1,2} the min:	1.1
s ₁ ¹⁾ ~ :	15.4
s ₂ ¹⁾ ~ :	11.1

Shoulder gear and chamfer size
mm

d _a the min:	96
d _a the max:	105
Da the min:	-
Da the max:	119
Ca ²⁾ the max:	-
r _a the max:	1

Calculation coefficient



$k_1:$ 0.089

$k_2:$ 0.131